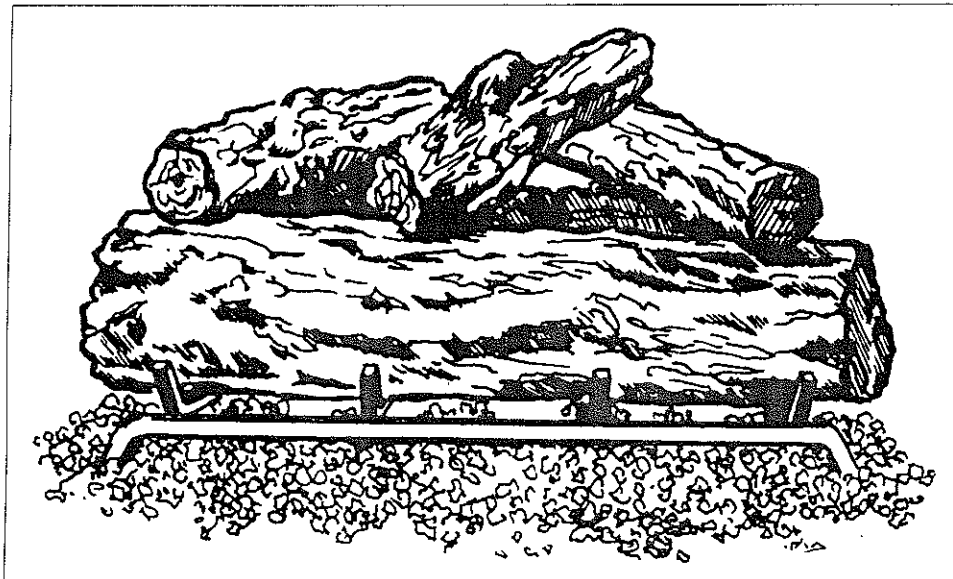


INSTALLATION & OPERATING INSTRUCTIONS FOR ENERGY EFFICIENT NATURAL GAS FIREPLACE LOGS

Note: Installer should leave these instructions with the consumer to retain for future reference.

H
B
U
R
N
E
R



H
B
U
R
N
E
R

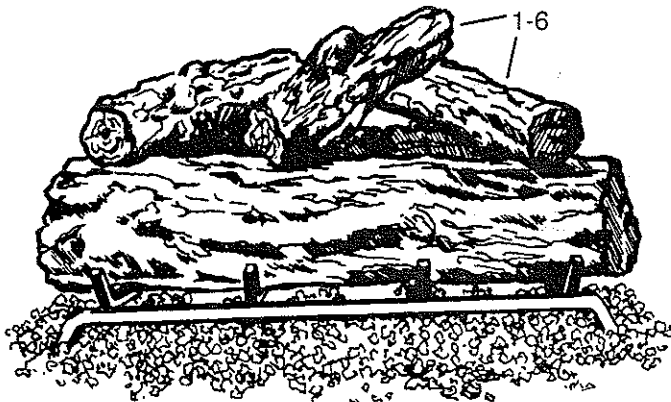
PLEASE READ these instructions carefully before you begin to install this gas log set.

FOR YOUR SAFETY

- If you smell gas:
 1. Open windows;
 2. Don't touch electrical switches;
 3. Extinguish any open flame;
 4. Immediately call your gas supplier.
- Do not store or use gasoline or flammable vapors and liquids in the vicinity of this or any other appliance.
- Do not place clothing or other flammable material on or near the appliance. Children and adults should be alerted to the hazards of high surface temperature and should stay away to avoid burns or clothing ignition.
- Young children should be carefully supervised when they are in the same room as the appliance.

PARTS LIST

Figure 1



NUMBER OF LOGS ARE
DETERMINED BY THE SIZE
AND MODEL CHOSEN.
SETS RANGE FROM 4 TO 9 LOGS

GRANULES
(HEAVY WEIGHT
BAG)

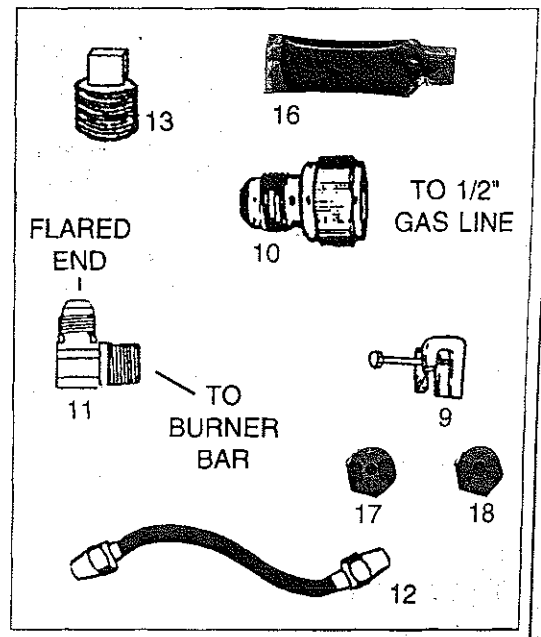
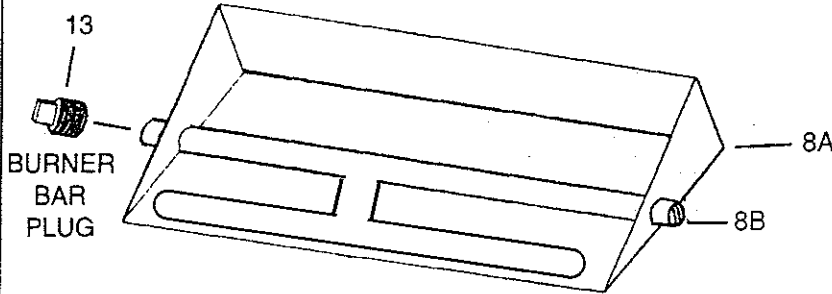
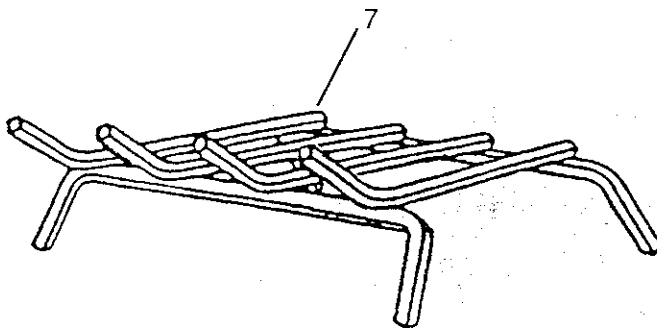


14

GLOWING EMBERS
(LIGHT WEIGHT
BAG)



15



PART NO.	DESCRIPTION
1-6	Logs
7	Log Grate
8A	Burner Pan
8B	Burner Bar
9	Damper Stop clamp
10	3/8" Flared to 1/2" Gas Inlet Fitting

PART NO.	DESCRIPTION
11	3/8" Brass Orifice Elbow-Flared
12	3/8" Flared Tubing
13	Burner Bar Plug
14	Granules
15	Glowing Embers
16	Pipe Dope
17	45,000 BTU Orifice (smaller hole)
18	60,000 BTU Orifice (larger hole)

1. This gas log set is only to be installed and burned in a fully vented fireplace with a fully functional damper and chimney that is free of any obstructions. The fireplace must be constructed of non-combustible materials and approved to burn wood. **Warning: Do not burn wood or other material in any fireplace fitted with a gas log set.**
2. To operate this gas log set, the fireplace damper must be fully opened and locked.
3. The smallest or minimum dimension of the chimney flue must be 8 inches in diameter. Do not use an Energy Efficient Gas Log Set if it is smaller than 8 inches. Do not use an Energy Efficient Gas Log Set if fumes from the burner emerge into the room when the damper is fully open. This indicates that there is not adequate draft for our log sets and the gas log set must not be used until fireplace draft is corrected.
4. This appliance must be installed with a Damper Stop Clamp (Part #9). When operating this gas log set, the flue damper must be fully open.

WARNING: *Improper use or installation may cause Carbon Monoxide Poisoning. Carbon Monoxide, which is an odorless and colorless gas, is a by-product of combustion. Caution must be taken to insure the fireplace is properly vented when logs are in use. To avoid having potentially dangerous fumes enter the living area, be sure the chimney is drawing properly and has sufficient draft.*

5. A fireplace screen must be in place when operating this gas log set. This screen shall have an opening(s) for the introduction of combustion air. If the fireplace has glass doors, operate this gas set with the doors fully opened.
6. The nominal inlet gas pressure for this appliance is 7" water column for natural gas.
7. This gas log appliance and its individual shutoff valve must be disconnected from the gas supply piping system during any pressure testing at pressures in excess of 1/2 PSIG.

This appliance must also be disconnected from the gas supply system by closing its individual manual shutoff valve during any pressure testing at pressures equal to or less than 1/2 PSIG.

FIREPLACE PREPARATION

- A. Remove all ash and debris from floor of fireplace.
- B. Open fireplace damper fully and install Damper Stop Clamp with 1/4 x 2" set screw (Part #9). This clamp is designed to prevent accidental closure of the damper while in use. (See Figure 2.) Should Damper Stop Clamp supplied not fit, a permanent damper stop clamp must be installed that will keep the damper open at a distance of not less than 1 1/2".
- C. Prior to connecting the gas log set, make sure that the gas supply to the fireplace is completely shut off.

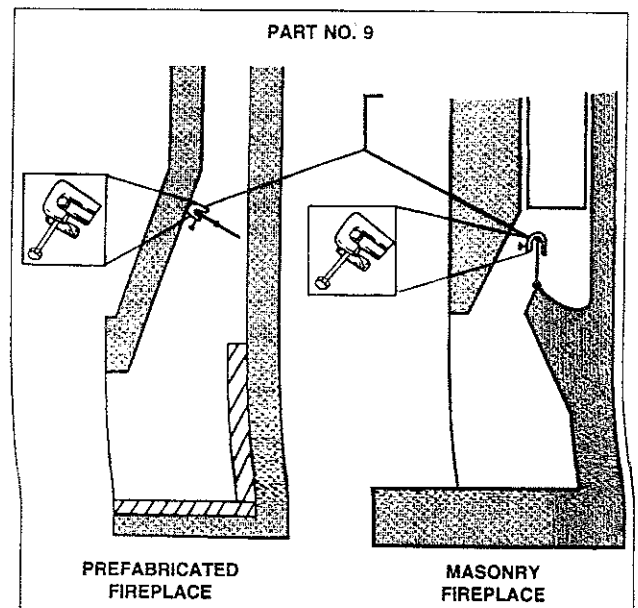


Figure 2. Damper Stop Clamp.

Installation of this Energy Efficient Gas Log Set and provisions for combustion and ventilation air must conform with the National Fuel Gas Code ANSI Z223.1 and applicable local codes.

D. **Installation to existing gas line in fireplace.** A manual on-off valve should be present within easy reach of the gas log set. If a manual valve is not present, one must be installed prior to the gas log installation.

E. **Prefabricated fireplace.** Refer to the manufacturer's fireplace instruction manual for specific information regarding the running of a gas line into that particular model.

A typical prefab installation involves the insertion of a 1/2 inch gas pipe through the gas line tube provided by each manufacturer from **outside** the fireplace. The knockout on the inside of the fireplace is removed as the gas pipe is punched through the fireplace.

An on-off valve should be placed within easy reach of the fireplace either inside the fireplace or in the wall. Repack any insulation removed from the gas line tube. (See figure 3.)

F. **Masonry fireplaces.** A 1/2 inch gas supply line must be provided to the firebox. Most installations require drilling an access hole through the masonry wall. The supply line should be secured and sealed by mortar within the access hole. The supply line should also have an on-off valve either in the wall or inside the fireplace. (See Figure 4.)

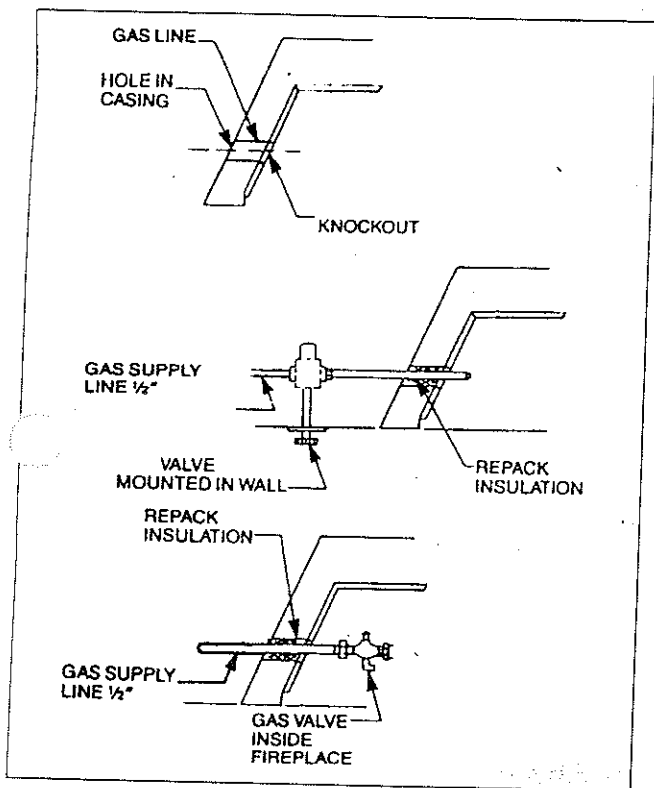


Figure 3. Gas line installation — Prefabricated fireplace.

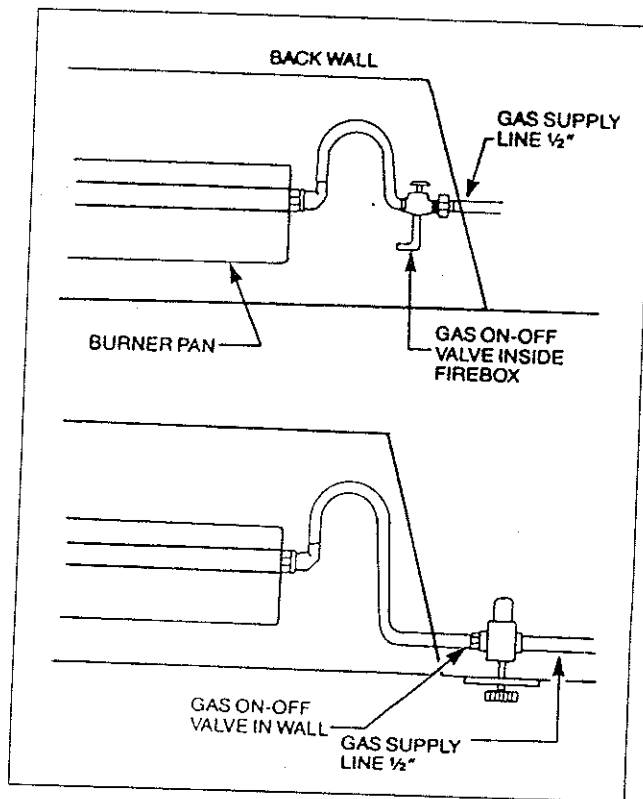


Figure 4. Gas line installation — Masonry fireplace.

GAS LOG INSTALLATION

(See Figure 1 Parts List as a guide to reference part numbers.)

Burner Pan Assembly

(NOTE: Use pipe compound on all male threads to seal joints)

- Determine if fireplace has a right or left-hand gas line feed. Use burner bar plug (Part #13) to seal off the end of the burner bar (Part #8B) that will not be attached to the gas supply line.
- Install either the 45,000 BTU orifice (Part #17) or 60,000 BTU orifice (Part #18) into the 3/8" Brass orifice elbow (Part #11)
 - 45,000 BTU orifice used for less flame height and more gas savings.
 - 60,000 BTU orifice used for more flame height, but uses more gas. (Note: 30" sets use the 60,000 BTU orifice only)
- Attach 3/8" brass orifice elbow (Part #11) to the burner bar (Part #8B)

NOTE: This fitting is internally machined for use as the orifice on Natural Gas installations. DO NOT use for L.P. or Propane gas applications.

CONNECTING GAS SUPPLY TO BURNER PAN

(If a Safety Pilot Kit is to be used, please refer to separate installation instructions.) These instructions refer to Natural Gas applications installed without a Safety Pilot Kit. (Pilot Safety Kit [Model CFCVS or Model CFCLP] available at your local dealer.)

- A. Place burner pan assembly in the center of the fireplace.
- B. Attach brass 3/8" Flared to 1/2" gas inlet fitting (Part #10) to the 1/2 inch gas supply stub.
- C. Attach 3/8" flared tubing (Part #12) to burner bar (Part #8). Attach opposite end to gas supply line by carefully bending the flared tubing as needed to make the connection. Avoid kinking the flared tubing while bending. If tubing must be cut, use a tube cutter. flare the cut end of the tube with a flaring tool.
- D. Be certain all connections are tight and use pipe compound on all male threads to seal joints. Test all connections with a soapy water solution with the gas supply turned on. If bubbles appear on any connection, retighten and retest. Once it is determined there are no leaks whatsoever, turn off gas supply and move to next assembly step.

GRANULE, EMBER AND LOG GRATE PLACEMENT

- A. Spread granules (Part #14) over the installed burner pan. Granules should be sloped to the same angle as the burner pan filling the entire pan. (See Figure 5A.)
 - B. Spread glowing embers (Part #15) over the top of the granules covering the entire surface area, concentrating on the front and sides of the burner pan for the most realistic burning effect.
- Place log grate (Part #7) over the burner pan aligning the front legs with the front edge of the burner pan. (See Figure 5B.)

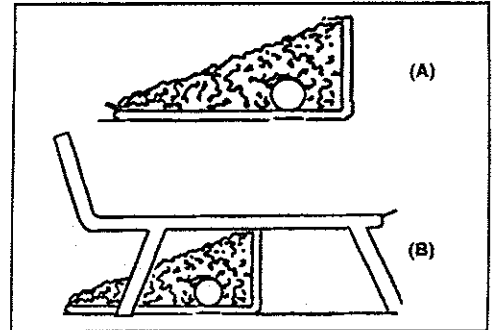


Figure 5 (A & B). Granule, ember and grate placement.

LOG PLACEMENT

(Part Numbers 1 through 6)

For proper log placement, please see Log Placement Sheet.

(Each set has a unique set-up procedure)

LIGHTING YOUR GAS LOG SET

(Manual valve only)

- A. Open chimney flue damper to the full open position.
- B. Be sure gas supply is shut off.
- C. Lay match on top of embers and granules near gas burner input. **Do not hold match in hand.** (See Figure 6.)
- D. With match burning, slowly turn on gas.

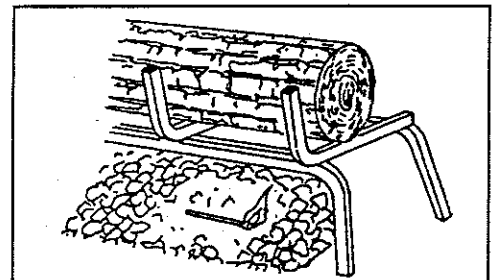


Figure 6. Lighting the log set.

MAINTENANCE

Very little maintenance is required. The carbon deposit resulting from combustion is natural and adds to the realistic appearance of the set. If carbon becomes excessive it can be lightly brushed or vacuumed away.

TROUBLE SHOOTING

<u>Problem</u>	<u>Cause</u>	<u>Corrective Action</u>
1. No ignition	-valve not on -gas line not clear	-turn valve on -inspect supply lines for tube kinks or obstructions
2. Inadequate flame	-valve partially closed -gas line obstruction -log arrangement	-open valve fully -burner inspection for tube kinks or obstructions -rearrange logs to desired pattern

LIMITED LIFETIME WARRANTY

Limited Lifetime Warranty shall apply to the original purchaser at the original installation point only.

All logs are guaranteed for the lifetime of the original purchaser against destruction by fire or heat.

The burner assembly system is guaranteed for a period of three (3) years from the date of purchase and will be replaced for freight costs only.

Safety Pilot, valves and thermocouples are guaranteed for a period of one (1) year under the original manufacturer's warranty.

General Warranty: This warranty does not apply in the case of improper installation, neglect, accident, misuse or as a result of modifications of the original product.

All costs for removal and reinstallation are the expressed responsibility of the purchaser.

Repair, replacement, or service to defective part or parts to be secured at outlet of original purchase within first 30 days of purchase. Thereafter, with valid warranty registration and proof of purchase, ship defective part prepaid and insured in original carton to Sure Heat Manufacturing, 3130 Moon Station Road, Kennesaw, GA 30144. Goods returned improperly packaged are the sole responsibility of purchaser.

It is agreed that any repair or replacement is the exclusive remedy from Sure Heat Manufacturing. In no case shall Sure Heat be liable for any consequential damage for breach of this or any other warranty expressed or implied whatsoever. This limitation as to consequential damages shall not apply in states where prohibited.

Purchased From: _____ Date: _____

Size: 18" 21" 24" 30" Model:

Name _____ Phone (____) _____

Address _____

City _____ State _____ Zip _____

Please photocopy and return to Sure Heat within 14 days of purchase.

If you have other questions, please contact Customer Service Hotline (770) 422-8008.