

# SURE HEAT

## Installation and Operating Instructions for

# NATURAL & L.P. GAS VENT FREE FIREPLACES

Model: FB-36 and FB-42

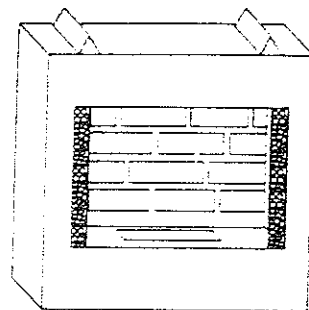
### Sure Heat Manufacturing

3130 Moon Station Road

Kennesaw, GA 30144

Tel: (770) 422-8008

Fax: (770) 424-3842



DO NOT INSTALL THE APPLIANCE IN THIS FIREBOX, UNLESS THIS FIREBOX MEETS THE MINIMUM DIMENSIONS REQUIRED FOR THE INSTALLATION.

Do not attempt to modify or alter the construction of the appliance or its components. Any modification or alteration of construction may void the warranty of these units.

**FOR USE ONLY WITH DECORATIVE TYPE UNVENTED ROOM HEATERS. DO NOT BUILD A WOOD FIRE**

Due to high temperatures, the appliance should be located out of traffic and away from furniture and draperies. Do not place clothing or other flammable material on or near the appliance.

Children and adults should be alerted to the hazards of high surface temperature and should stay away to avoid burns and clothing ignition.

Young children should be carefully supervised when they are in the same room as the appliance.

**WARNING:** If the information in this manual is not followed exactly, a fire or explosion may result causing property damage, personal injury or loss of life.

— Do not store or use gasoline or other flammable vapors and liquids in the vicinity of this or any other appliance.

— WHAT TO DO IF YOU SMELL GAS:

- Do not try to light any appliance.
- Do not touch any electrical switch.
- Do not use any telephone in your building.
- Immediately call your gas supplier from a neighbor's telephone.
- Follow the gas supplier's instructions.
- If you cannot reach your gas supplier, call the fire department.

— Installation and service must be performed by a qualified installer, service agency or the gas supplier.

**WARNING:** Improper installation, adjustment, alteration, service or maintenance can cause injury or property damage. Refer to this manual. For assistance or additional information, consult a qualified installer, service agency or the gas supplier.

This Firebox may be installed in an aftermarket\* manufactured (mobile) home, where not prohibited by state or local codes.

Aftermarket: Completion of sale, not for purpose of resale, from the manufacturer (i.e. Installation of this product is permitted after the manufactured (mobile) home is sited).

This Firebox has been tested and approved by I.A.S. under their REQ. 2-97 for use with ANSI Z21.11.2 approved gas logs

Save this manual for future reference.

The installation must conform with local codes, or in the absence of local codes, with the National Fuel Gas Code ANSI Z223.1 (latest edition) and with the National Electrical code, ANSI/NFPA 70 (latest edition).

This appliance is considered a Universal Ventless Firebox and can be used with any approved ventless gas log unit. Installation and repair should be done by a qualified service person.

The appliance should be inspected before use and at least annually by a qualified service person. More frequent cleaning may be necessary due to excessive dust or carpet lint. It is important that the circulating air passageways be kept clean.

Keep appliance clear and free from combustible materials, gasoline and other flammable vapors and liquids.

It is necessary to provide adequate combustion and ventilation air. Air for combustion and ventilation must not be obstructed. Provide adequate clearance around air openings in the combustion chamber and adequate accessibility clearance for servicing and proper operation.

**NEVER obstruct the front opening of the fireplace.**

**WARNING:** Any safety guard removed for servicing an appliance must be replaced before operating the appliance.

### Installation Precautions

This Sure Heat Manufacturing appliance and its components have been tested and will operate safely when installed in accordance with this Installation Manual. Read all instructions before starting installation, then follow these instructions carefully during installation.

#### **FIREPLACE SCREEN:**

The fireplace screen must be in place when the appliance is operating, and unless other provisions for combustion air are made, the screen must have openings for the introduction for combustion air. The Sure Heat Manufacturing Warranty will be voided by, and Sure Heat disclaims any responsibility for, the following:

- Installation of any damaged appliance
- Modification of the appliance or components
- Installation other than as instructed by Sure Heat Manufacturing

Any such action may create a possible fire hazard. Consult your local building codes.

### Clearances

1. Sidewall Clearances: The clearance from the side of the appliance to any combustible wall should not be less than 4 1/2" (See Figure 1 & 2).
2. Back Wall Clearances: The appliance may be placed against a combustible back wall.
3. Ceiling Clearances: The ceiling height should not be less than 42" from the top of the fireplace opening (See Figure 2).
4. Mantel Clearances: If a combustible mantel is installed, it must meet the clearance requirements detailed in Figure 3 & 4.

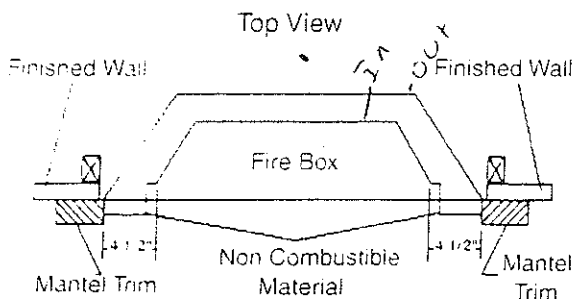


Figure 1. Top View of Fire Box Clearances.

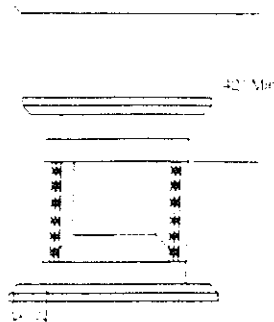


Figure 2. Front View of Fire Box Clearances.

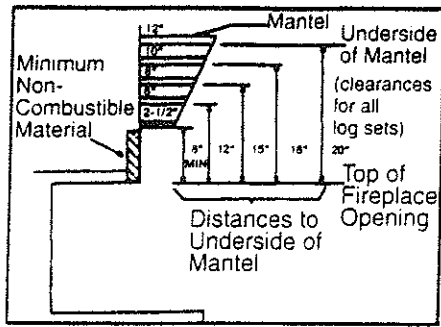


Figure 3. Mantel Clearances without Mantel Guard Canopy.

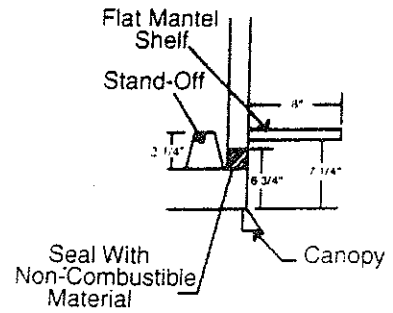
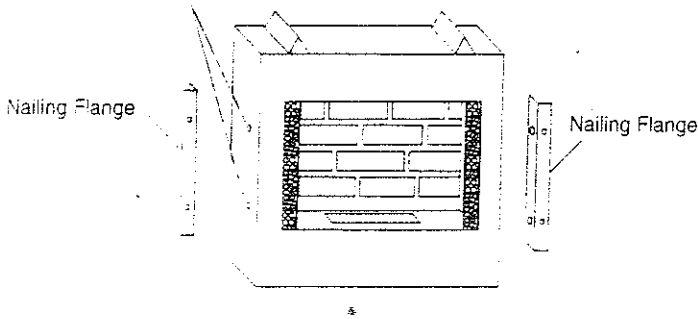


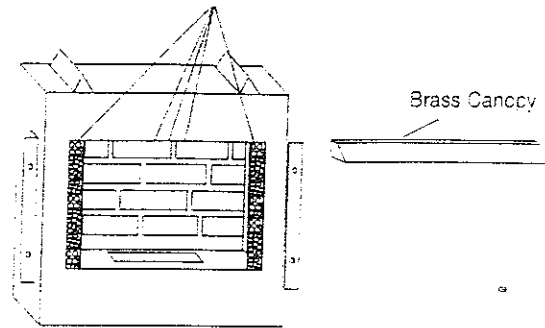
Figure 4. Mantel Clearances with Mantel Guard Canopy.

### Nailing Flange & Canopy Installation

Remove both screws from the side of the firebox and attach the nailing flange to the unit.



Loosen the (5) five bolts on the underside of the firebox front and slide the brass canopy into place. Then tighten down the screws to secure the canopy in place.



### Installation Instructions

In planning the installation for the appliance it is necessary to determine where the unit is to be installed. Gas Supply piping should also be determined.

**These models may NOT be installed in a bedroom or bathroom.**

The appliance can be mounted on any of the following surfaces.

1. A flat hard combustible surface.
2. A raised platform of combustible or non-combustible material.
3. On four (4) corners of the appliance so contact is made on all four (4) beads and perimeter edges on the bottom of the unit. (Example: Four (4) concrete masonry blocks.)

If the appliance is installed directly on carpeting, tile or other combustible material other than wood flooring, it should be installed on a metal or wood panel extending the full width and depth of the unit.

At this point, you should have decided what components to include in your installation, and where the appliance is to be located. If this has not been done, stop and consult your dealer for assistance with this planning.

FB 36"	FB 42"
A 38 1/2	A 41 1/2
B 38 1/4	B 44 1/4
C 19 1/4	C 25 1/4

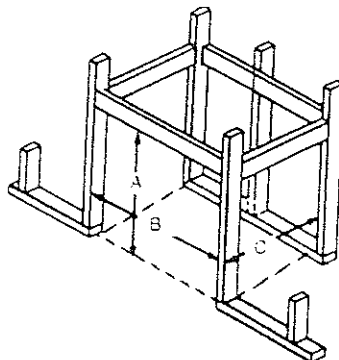


Figure 5. Framing Dimensions

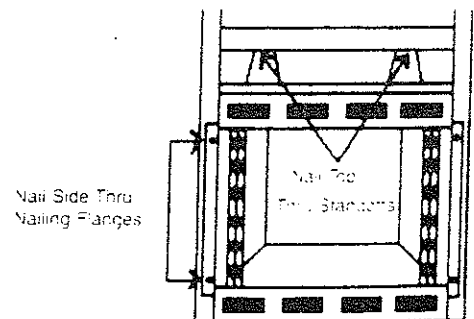


Figure 6. Fasten appliance in position using the nailing flanges or top standoffs.

## Appliance Framing

Appliance framing can be built before or after the appliance is set in place. Framing should be positioned to accommodate wall covering and appliance facing material. The appliance framing should be constructed of 2 x 4 lumber or heavier. The framing headers may rest on the top of the appliance standoffs. Refer to Figure 5 and Figure 6 for appliance framing dimensions.

## Anchor Appliance In Position

To prevent shifting of the appliance and to maintain sealing (described later), anchor the appliance. Two (2) methods are possible on these appliances.

One (1) method is to use the nail flanges provided with the appliance. (See Figure 6.) The appliance may be secured to the vertical framing members with these flanges and nails or other suitable fasteners.

The second method uses the standoffs at the top of the appliance. A nail may be installed through the standoffs and into the header to stabilize the top of the appliance. (See Figure 6).

	FB36		FB42
A	44 1/2"	A	55"
B	44 1/2"	B	55"
C	63"	C	77 13/16"
D	19"	D	25"
E	25"	E	29"
F	38 1/4"	F	41 1/4"
G	38"	G	44 "
H	8 1/4"	H	7 3/4"
I	19 1/2"	I	23 1/2"
J	19 1/2"	J	23 1/2"
K	8 1/4"	K	7 3/4"
L	36"	L	39"

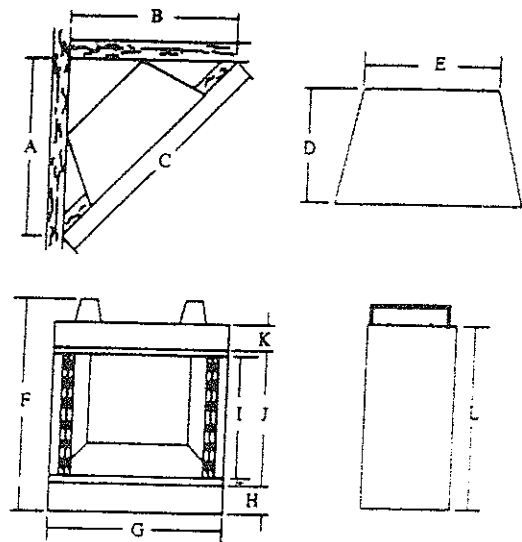


Figure 7. Appliance Dimensions

## Connecting The Gas Line

This appliance is designed to accept a 1/2" gas line for an approved gas appliance. The line must be installed to comply with all building codes. Consult local building codes to properly size the gas supply line leading to the 1/2" hook-up at the unit. A manual shutoff valve must be installed to shut gas off to the appliance.

## Insulating The Appliance

In cold climates, insulation of the enclosure around the appliance is critical to avoid problems with cold air. The following steps are suggested to minimize cold air problems. Insulate the base of the appliance with a non-combustible insulation. This step is particularly important for outside wall installations over concrete slab floor construction. If a platform is used to raise the appliance, insulation should be placed on top of the platform before the appliance is set. (See Figure 3).

Inspect joints of the appliance as well as the points of sealing between the appliance and the finishing materials. Any cracks should be sealed with non-combustible caulking or insulation. See Figure 9 for details of sealing between the appliance and finishing materials.

When an appliance is installed in a chase or on an outside wall, the enclosure should be insulated like any other outside wall of the home. Plywood or hardboard may be placed on the standoffs and insulation placed on this surface. (See Figure 10).

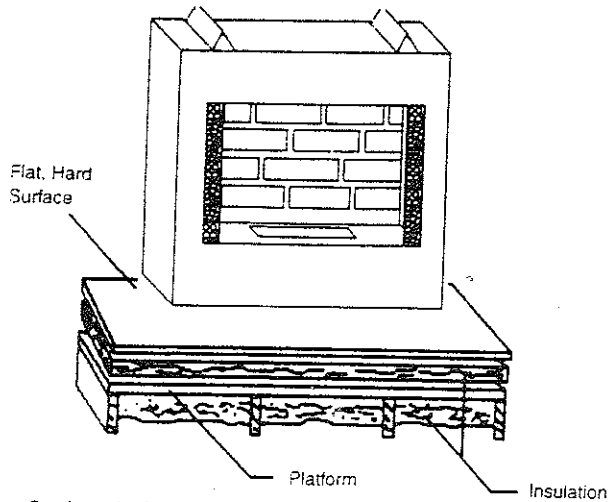


Figure 8. Insulation between platform and appliance.

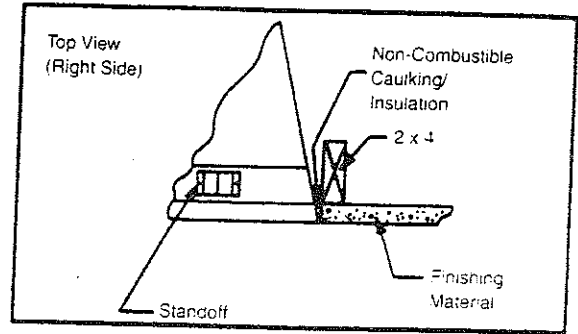


Figure 9. Sealing spaces between appliance and finishing material.

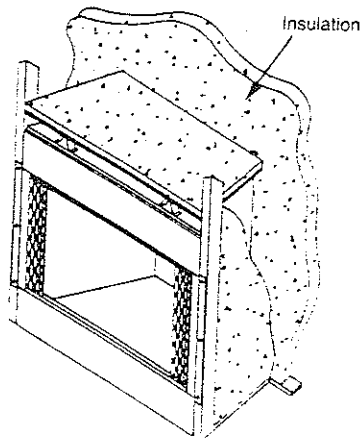


Figure 10. Additional Insulating Methods

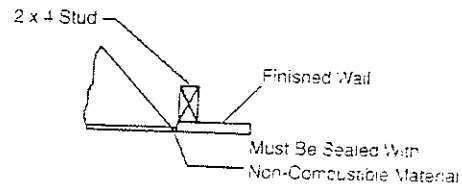
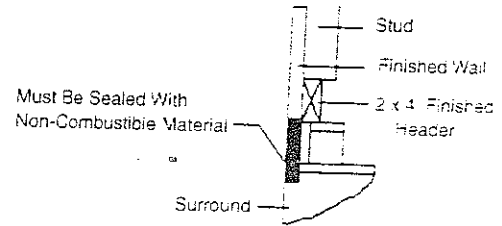


Figure 11. Appliance surround flush with finished wall.

### Finishing

See the section on clearances for allowable finishing materials and clearances to combustibles. All joints (top, bottom and sides), where the wall or decorative facing material meets the appliance surround must be completely sealed with a non-combustible material. (See Figures 11, 12 and 13).

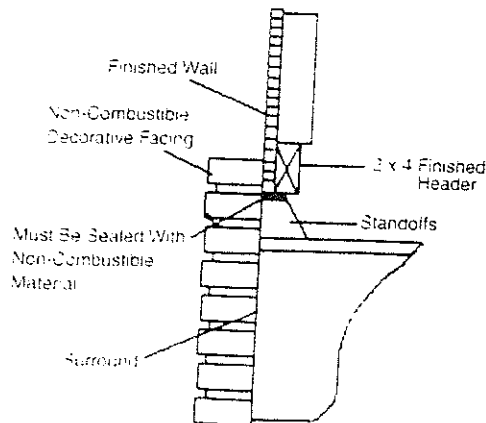


Figure 12. Appliance surround flush with finished wall.

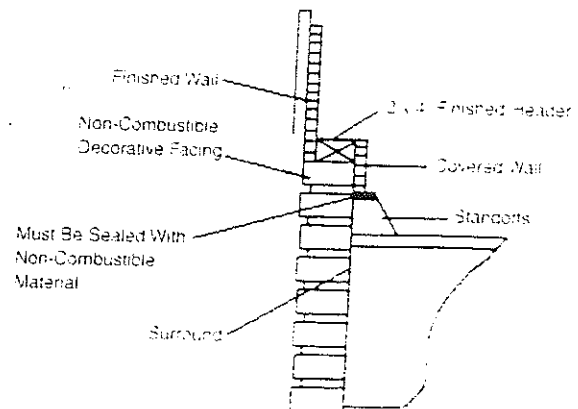


Figure 13. Facing on appliance flush with finished wall.

## Maintenance

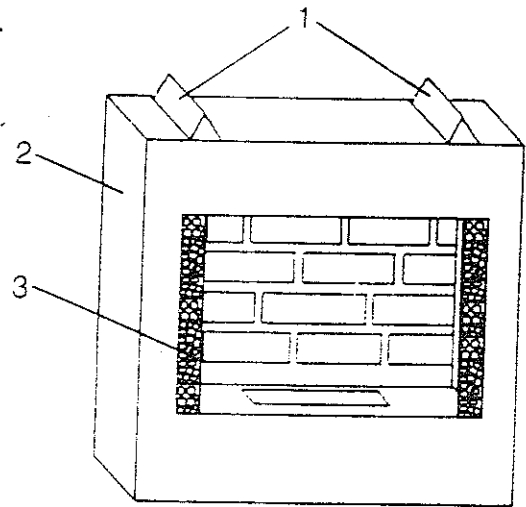
Keep the control compartment, logs and burner area surrounding the logs clean by vacuuming or brushing at least twice a year.

### THE LOGS CAN GET VERY HOT-HANDLE ONLY WHEN COOL.

Always turn off gas to the pilot before cleaning.  
 Never obstruct the flow of combustion and ventilation air.  
 Keep the front of the appliance clear of all obstacles and materials. Leave at least 36" clearance from front of appliance.

#### Parts List

Ref. #	Parts Name	Qty
1	Standoffs	2
2	Firebox	1
3	Firebox Screen	1



### Sure Heat Manufacturing 20 Year Limited Warranty

**A. BASIC WARRANTY**  
 Sure Heat Manufacturing warrants its factory built fireplaces against defects in materials and workmanship. This warranty covers only the original consumer purchaser at the original installation of a fireplace system installed and operated in accordance with the appropriate installation and operating instructions. This warranty extends to specific components for the periods specified below.

**B. IMPLIED WARRANTY LIMITATION**  
 NO IMPLIED WARRANTIES, INCLUDING WARRANTIES OF MERCHANTABILITY AND FITNESS FOR A PARTICULAR PURPOSE, EXTEND BEYOND THE RESPECTIVE PERIODS SPECIFIED BELOW. Some states do not allow limitations on how long an implied warranty lasts, so the above limitation may not apply to you.

**C. PERIODS OF COVERAGE**  
 Except for special parts covered in Section D below, Sure Heat will repair, replace, or refund the original purchase price, at Sure Heat's option, in accordance with the following schedule:

- First Year—**Sure Heat will supply parts, at no charge, F.O.B. factory, and reasonable labor costs to repair or replace components of the fireplace system. Labor cost must be approved in advance by Sure Heat and shall not exceed twice the retail price of the replacement part.
- Second through Fifth Year—**Sure Heat will supply parts only, at no charge, F.O.B. factory, to repair or replace components of the fireplace system.
- Sixth through Tenth Year—**Sure Heat will supply parts only, at 50% of the stand-off market price, F.O.B. factory, to repair or replace components of the fireplace system.
- Eleventh through Twentieth Year—**Sure Heat will supply parts only, if they are available, at the then current stand-off price, F.O.B. factory, to repair or replace components of the fireplace systems.

**D. SPECIFIC COMPONENT EXCEPTIONS**  
 The life of the following parts and components of the fireplace system is dependent upon the environment and the care and usage by the consumer. Warranty for these components is as specified below:

**PANS, FAN KITS, AND WIRE SCREENS:** Parts or assemblies are warranted for a period of ninety days. Thereafter parts will be available at the then current price list.

**REFRACTORY COMPONENTS:** Sure Heat will supply parts or material only, at no charge, to repair or replace defective refractory for a period of one year. This policy does not apply to small hairline cracks in refractory which do not affect the safety and operation of the fireplace. This policy does not apply to refractory which has been broken during installation of the fireplace. After one year, replacement refractory will be made available at the then current list price.

**E. LIMITATIONS, EXCLUSIONS AND LIMITS OF LIABILITY**

- This warranty applies only to the original owner and the original installation.
- Warranty periods run from the original date of installation. This date cannot be later than the date of the factory label. Claims must be made in writing to Sure Heat within the warranty periods.
- Sure Heat is not responsible for any smoking or fire hazards caused by the fireplace system if damage is caused by environmental conditions such as heavy buildings or poor design, poor installation, inadequate ventilation, negative air pressure, or the failure of the chimney. Such is caused by existing conditions, and does not affect the warranty and does not constitute a warranty.
- The warranty does not cover heat loss due to the passage of heat or cold air through or around the fireplace as the condition can be affected in a major way by the installation and insulation of the fireplace.
- Sure Heat makes no representation or warranty regarding local building code compliance in the jurisdiction of the fireplace manufacturer. As building codes vary widely, the installer should refer to all applicable local, state, and federal codes and regulations, including applicable building codes, to determine the correct installation and operation of the fireplace system.
- The warranty is void if, in the opinion of Sure Heat, the fireplace system has been tampered with, altered, misused, misused, damaged, or used with accessories not supplied or approved by Sure Heat.
- The warranty does not cover painted surfaces that have been damaged by installation.
- The warranty does not cover removal and replacement of any portion of the structure of the fireplace system.
- Installation made necessary by the repair company is at the discretion of the fireplace system.
- Parts are shipped F.O.B. factory.
- Sure Heat shall have no responsibility for any defects in materials, components, or assemblies which are not supplied by Sure Heat. The manufacturer's liability for such defects is limited to the replacement of the defective part. Sure Heat is not responsible for the repair or replacement of the defective part or for the cost of labor to install the replacement part. The manufacturer's liability for such defects is limited to the replacement of the defective part.
- The warranty does not cover any fire hazard or other liability that may be incurred by the consumer. The consumer is responsible for any fire hazard or other liability that may be incurred by the consumer. The consumer is responsible for any fire hazard or other liability that may be incurred by the consumer.
- The warranty does not cover any fire hazard or other liability that may be incurred by the consumer. The consumer is responsible for any fire hazard or other liability that may be incurred by the consumer.

# SURE HEAT MANUFACTURING

## BLOWER KIT INSTALLATION INSTRUCTIONS (MODEL-BL100)

NOTE: This Blower Kit is designed to be used only with the EMBERGLOW Universal Vent-Free Fireplace.

### INSTALLATION

1. Remove the access panel on the floor of the fireplace by removing the sheet metal screws (See Figure 1).
2. Remove the backing on the Velcro tape which is already on the backside of the blower system. Place the blower through the hole in the fireplace and position it against the back wall of the fireplace. Push blower firmly against the back wall to allow for the adhesion of the Velcro tape.

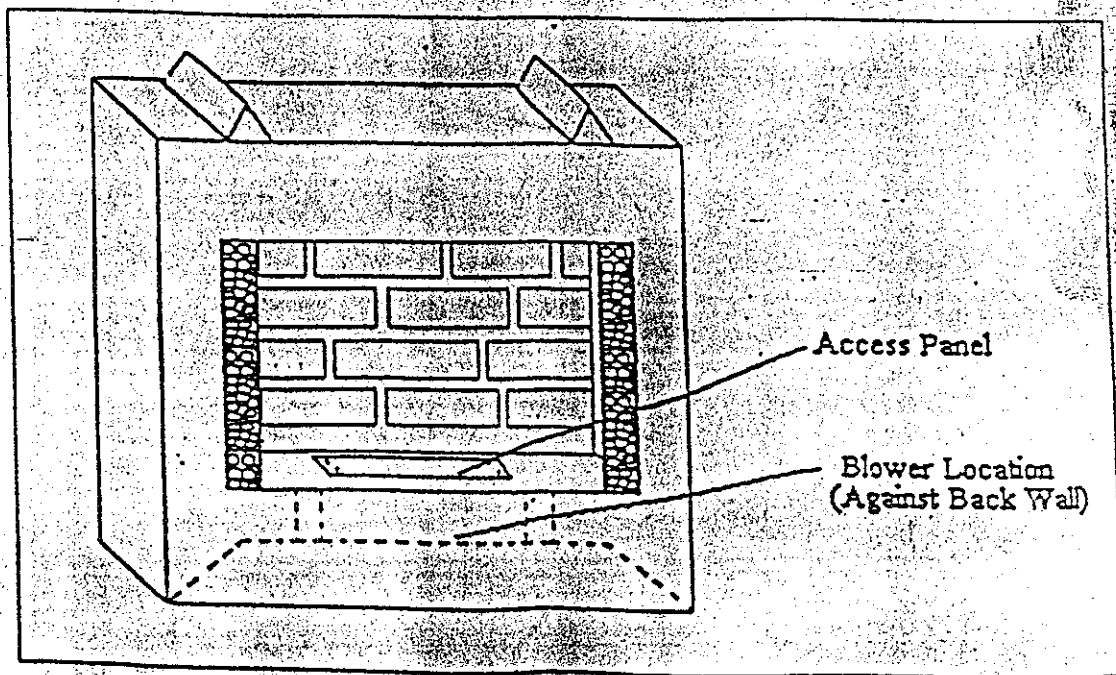


Figure 1 Access panel and Blower Location

3. Guide the wire assembly through the bottom hole on the side of the fireplace leaving the plug on the outside of the unit (It is necessary to remove the cover on the outside of the fireplace to gain access to the cord hole). Connect the Green, Black and White Wires to the appropriate terminals on the blower system as shown in Figure 3.

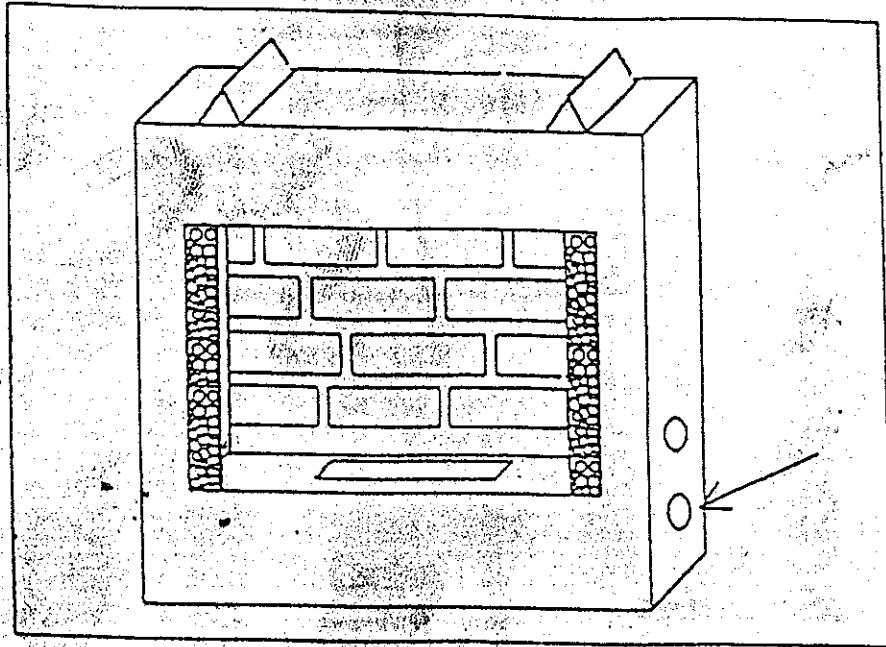


Figure 2 Wire Installation

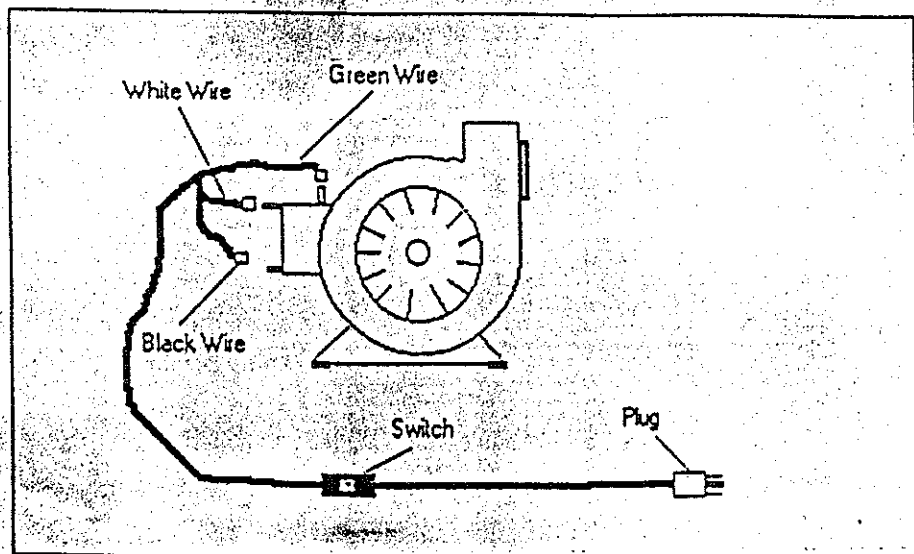


Figure 3 Blower Wiring Guide

4. Insert the plug into an outlet to operate the blower system.